



LEDWASH

12X40



USER MANUAL



Table of contents

1. Safety Instructions	3
2. Technical Specification	5
3. DMX Set Up.....	6
4. Display.....	7
5. Menu.....	8
6. Photometry	12
7. DMX channels	13
8. Mounting.....	17
9. Fixture dimensions	18
10. Attention.....	18
11. Trouble Shooting.....	18
A. The unit does not work, no light and the fan does not work	18
B. Not responding to DMX controller	19
C. One of the channels is not working well.....	19
12. Fixture Cleaning	19

Statement

Thank you for choosing our LED lights. Each facility has been rigorously tested. Please check whether the facility has been damaged during transportation. If you find any parts are missing or broken, please contact the manufacturer immediately. Please do not return the product without any notice!



1.Safety Instructions



Please read this manual carefully, which includes

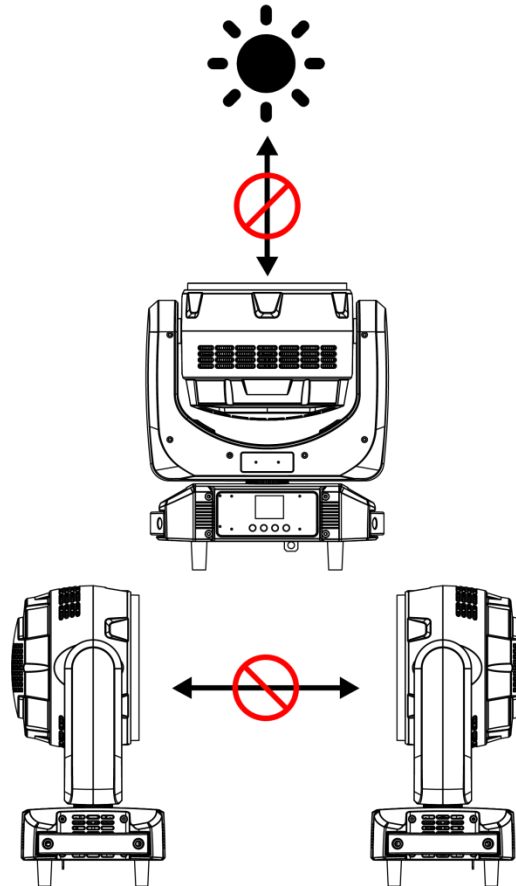
important information on installation,use and maintenance.

Attention

- Please keep this USER MANUAL for future consultation. If you sell the facility to another user, be sure that they also receive this USER MANUAL.
- Please open and check in details and make sure there is no transportation damage.
- Before operating, ensure that the voltage and frequency of power supply match the power requirements of the facility.
- It's important to ground the yellow/green conductor to earth in order to avoid electric shock.
- The facility must be installed in a location with adequate ventilation, at least 50 cm from adjacent surfaces. Be sure that no ventilation slots are blocked.
- Make sure the power is disconnected before removing the facility.
- Make sure there are no flammable materials close to the unit while operating as it is fire hazard.
- Use safety cable when fixes this facility. Do not handle the facility by taking its head only, but always by taking its base.
- Maximum ambient temperature is 40°C. Do not operate it where the temperature is higher than this.
- Please stop using the facility for serious operating problems. Stop using the facility immediately. Never try to repair the facility by yourself, but be a professional technician. Please contact the supplier's service department for technical support.
- Do not touch any wire during operation as high voltage might be causing electric shock.
- When the housing or lens is damaged, it must be replaced.



- Direct sunlight or any other strong light source penetrating the lens of the light will cause serious internal damage to the facility. During unpacking, installation, use and long-term outdoor idleness, it is forbidden to expose the lens of the facility to direct sunlight or any other strong light source at any angle. It is forbidden to aim the beam of one light directly at another light.



Caution

There are no accessories available, do not open the housing and try to repair the facilities yourself. Please contact our company for after service.

Installation

The unit should be mounted via its screw holes on the bracket. Always ensure that the unit is firmly fixed to avoid vibration and slipping while operating. And make sure that the structure to which you are attaching the unit is secure and is able to support a weight of 10 times of the unit's weight. Also always use a safety cable that can hold 12 times of the weight of the unit when installing the fixture.

The facility must be installed by professionals, and keep it far away from fire, walking road, and easy touched place.



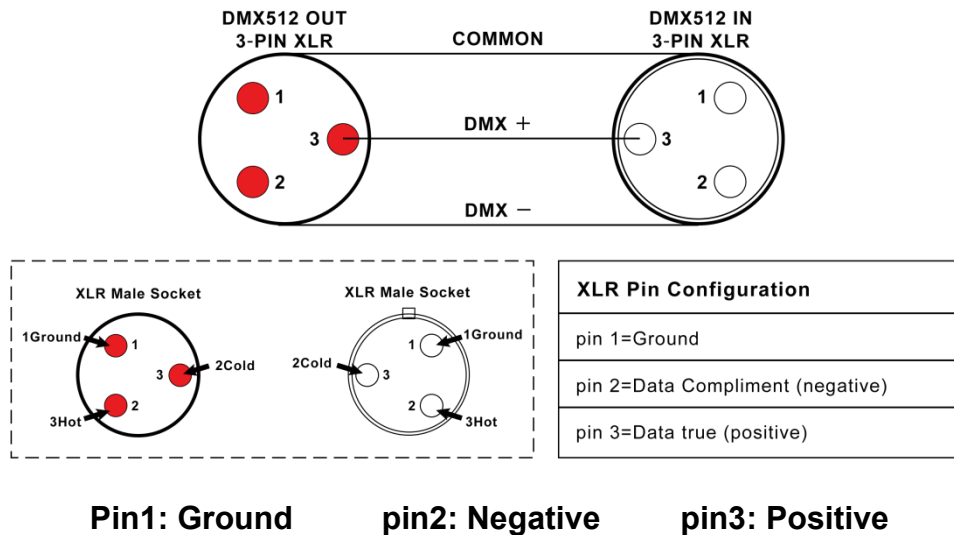
2. Technical Specification

Light Source	12*40W 4 in 1 RGBW LED
LED Lifetime	≥ 50000H
Power Voltage	AC100-240V , 50-60Hz
Power Consumption	380W, PF≥0.95
Beam Angle	3.5°-45°
Control Modes	DMX512/ Auto/ Sound/ Master-Slave/ Manual/ RDM
DMX Channel	16/ 21 Channel
Protection Rating	IP20
Display	TFT 1.8' colorful reversible display, CN/ EN language
Data In/Out Socket	3-pin XLR sockets
Power Socket	Powercon true1 in/ out
Housing Material	ABS High temperature resistant plastics
Working Temperature	-10°C - 45°C
Pan	540° accuracy 2.11°/step, fine-tuning accuracy: 0.008°
Tilt	270° accuracy 0.86°/step, fine-tuning accuracy: 0.0034°
Pan/Tilt Resolution	Automatically correct pan/tilt position
MAX. Connection	8 units (230V, 50Hz) 1.5mm ² power cable
	4 units (110V, 60Hz) 1.5mm ² power cable
Dimension	324*240*383mm
Net Weight	9kg
Carton Package	397*313*452mm 1in1 G.W.: 12kg
	646*415*472mm 2in1 G.W.: 23kg
Flight Case	875*608*575mm 4in1 G.W.: 71.6kg
Features	Full light range dimming, 65536-level dimming accuracy. Fast strobe 1~25Hz. Preset multiple macro-color. High brightness. Uniform WASH effect.
Configuration	Signal cable 1pc



	Power cable 1pc
	Manual 1pc

3. DMX Set Up



DMX Connection

To ensure optimal transmission of DMX data, please connect facilities in the shortest way. The connection order won't affect the DMX address code. For example, if the address code is set to 1, no matter where the facility is connected, its address code will not change. This is determined by the principle of the DMX controller.

Operation method

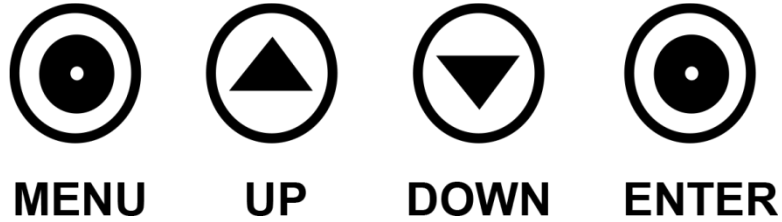
You can operate in the following three modes:

- Auto mode - the light can automatically complete all color changes
- DMX control mode - each light can be individually controlled by a standard DMX512 console
- Master mode - any light can work as a host in any of the above modes, and the other lights will work synchronously as slaves



4. Display

There are four buttons on the LED panel: MENU, UP, DOWN, and ENTER.



"MENU" to exit or return to the previous menu, "UP" or "DOWN" to select the upper and lower menus or adjust the values, and "ENTER" to confirm.

After powering on, the facility will automatically return to the last operation when it was powered off, then get into standby status. For more details, please refer to the information below↓



5. Menu

Menu	1. Pan Degree	1. 540 2. 360	Pan setting
	2. Mic Sense	001--100	Sound sensitivity setting
	3. Language	1. English	Language setting
		2. Chinese	
	4. No Signal	1. Block Out 2. Hold	Status setting(no signal)
	5. Fan Set	1. Auto 2. Low 3. High	Fan speed setting
	6. Reset	1. Yes	Reset
		2. No	
	7. Default	1. Yes	Reset to default
		2. No	
8. Adjust	Pass Word : ****	Change the value of Pan/ Tilt/ Focus to adjust angle change the value of R/G/B/W to adjust White Balance	
	1. Pan: 0--255		
	2. Tilt: 0--255		
	3. Focus: 0--255		
	4. Red: 0--255		
	5. Green: 0--255		
	6. Blue: 0--255		
	7. White: 0--255		



Addr		001--512	Address setting: 001--512	
Rever	1. Pan		1. YES 2. NO	
	2. Tilt		1. YES 2. NO	
	3. Display		1. YES 2. NO	
Info			1. CH Value	
			2. Tem**°C	
			3. Soft V1.1	
Mode	1. DMX512			
	2. Auto		1. Master	
			2. Alone	
	3. Sound		1. Master	
			2. Alone	
	4. Manual	1. Master	1. Pan: 0--255	
			2. Tilt: 0--255	
			3. Focus: 0--255	
			4. Red: 0--255	
		2. Alone	5. Green: 0--255	
6. Blue: 0--255				
7. White: 0--255				
8. Strobe: 0--255				



Channel	1. 16 Channels	16 Channels	Channels setting
	2. 21 Channels	21 Channels	
Menu	1. Pan Degree	1. 540 2. 360	Pan setting
	2. Mic Sense	001--100	Sound sensitivity setting
	3. Language	1. English	Language setting
		2. Chinese	
	4. No Signal	1. Block Out 2. Hold	Status setting(no signal)
	5. Fan Set	1. Auto 2. Low 3. High	Fan speed setting
	6. Reset	1. Yes	Reset
		2. No	
	7. Default	1. Yes	Reset to default
		2. No	
	8. Adjust	Pass Word : ****	Change the value of Pan/ Tilt/ Focus to adjust angle change the value of R/G/B/W to adjuste White Balance
		1. Pan: 0--255	
2. Tilt: 0--255			
3. Focus: 0--255			
5. Red: 0--255			
6. Green: 0--255			
7. Blue: 0--255			
8. White: 0--255			



Addr		001--512	Address setting: 001--512	
Revert	1. Pan		1. YES 2. NO	
	2. Tilt		1. YES 2. NO	
	3. Display		1. YES 2. NO	
Info			1. CH Value	
			2. Tem**°C	
			3. Soft V1.1	
Mode	1. DMX512			
	2. Auto		1. Master	
			2. Alone	
	3. Sound		1. Master	
			2. Alone	
	4. Manual	1. Master	1. Pan: 0--255	
			2. Tilt: 0--255	
			3. Focus: 0--255	
			4. Red: 0--255	
		2. Alone	5. Green: 0--255	
6. Blue: 0--255				
7. White: 0--255				
8. Strobe: 0--255				



Channel	1. 16 Channels	16 Channels	Channels setting
	2. 21 Channels	21 Channels	

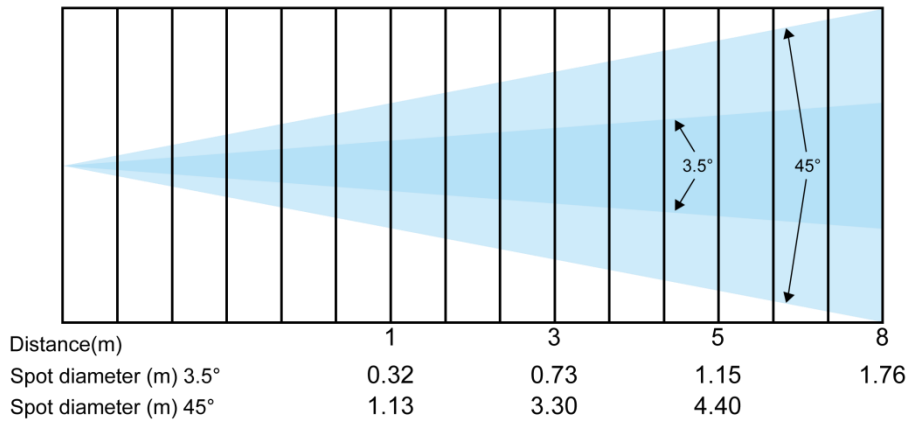
6. Photometry

Beam Angle = 3.5°

R lux	17200	4820	2110	888
G lux	38400	10800	4730	2060
B lux	2530	2010	925	423
W lux	46500	12900	5800	2500
4in1 lux	100000	28000	12600	5510

Beam Angle = 45°

R lux	5590	580	222	91
G lux	12800	1250	496	201
B lux	2510	245	97	39
W lux	15500	1540	593	241
4in1 lux	34300	3340	1300	532



7. DMX Channels

► 16CH Mode

Channel	Function	Value	Description
1	Pan	0--255	Pan adjustment
2	Pan adjustment	0--255	Pan fine adjustment
3	Tilt	0--255	Tilt adjustment
4	Tilt adjustment	0--255	Tilt fine adjustment
5	Pan/ Tilt speed	0--255	From fast to slow
6	Zoom	0--255	From narrow to wide
7	Dimming	0--255	From dark to bright
8	Strobe	0--3	Strobe dimming
		4--203	From slow to fast(1Hz~25Hz)
		204--255	Random strobe
9	Red	0--255	From dark to bright
10	Green	0--255	From dark to bright
11	Blue	0--255	From dark to bright
12	White	0--255	From dark to bright
13	Dimming Mode	0--49	Mode 1
		50--99	Mode 2
		100--149	Mode 3
		150--255	Mode 4
14	Color temperature	0--15	No function
		16--35	R 100%, G up, B 0%
		36--55	R down, G 100%, B 0%
		56--75	R 0%, G 100%, B up
		76--95	R 0%, G 100%, B up
		96--115	R up, G 0%, B 100%
		116--135	R 100%, G 0%, B down



Channel	Function	Value	Description
		136--155	R 100%, G up, B up
		156--175	R down, G down, B 100%
		176--195	R 100%, G 100%, B 100%, W 100%
		196--200	2800K
		201--205	3200K
		206--210	4000K
		211--215	4500K
		216--220	5000K
		221--225	5600K
		226--230	6500K
		231--235	7000K
		236--240	7500K
		241--255	8000K
15	Macro Color	0--15	No function
		16--31	Zone --1
		32--47	Zone --2
		16 numbers 1 effect
		224--239	Zone --14
		240--255	Zone --15
16	Reset	0--250	No function
		251--255	Reset

► 21CH Mode

Channel	Function	Value	Description
1	Pan	0-255	Pan adjustment
2	Pan adjustment	0-255	Pan fine adjustment
3	Tilt	0-255	Tilt adjustment



Channel	Function	Value	Description
4	Tilt adjustment	0-255	Tilt fine adjustment
5	Pan/Tilt speed	0-255	From fast to slow
6	Zoom	0-255	From narrow to wide
7	Dimming	0-255	From dark to bright
8	Dimming adjustment	0-255	Dimming adjustment
9	Strobe	0-3	No effect
		4-203	From slow to fast
		204-255	Random strobe
10	Red	0-255	From dark to bright
11	Red adjustment	0-255	Red adjustment
12	Green	0-255	From dark to bright
13	Green adjustment	0-255	Green adjustment
14	Blue	0-255	From dark to bright
15	Blue adjustment	0-255	Blue adjustment
16	White	0-255	From dark to bright
17	White adjustment	0-255	White adjustment
18	Dimming Model	0-49	Model -1
		50-99	Model -2
		100-149	Model -3
		150-255	Model -4
19	Color Temperature	0-15	No effect
		16-35	R 100%, G up, B 0%
		36-55	R down, G 100%, B 0%



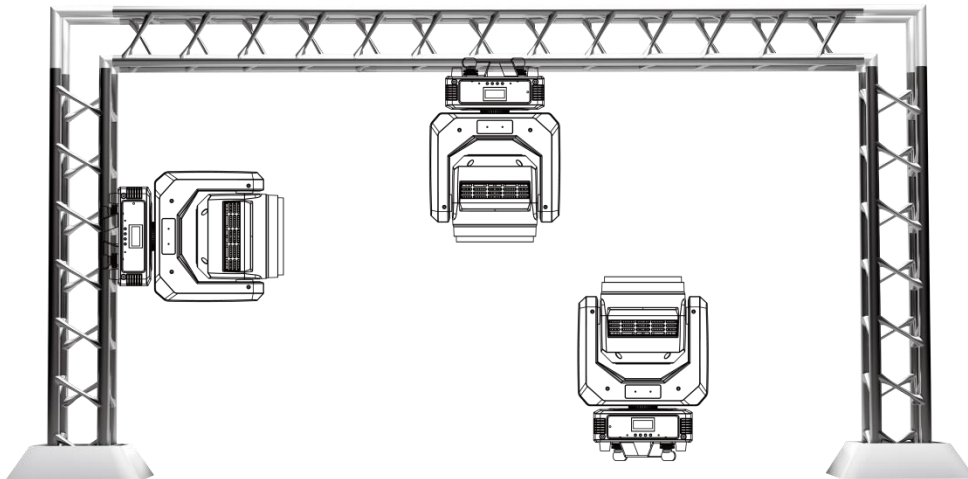
Channel	Function	Value	Description
		56-75	R 0%, G 100%, B up
		76-95	R 0%, G100%, B up
		96-115	R up, G 0%, B 100%
		116-135	R 100%, G 0%, B down
		136-155	R 100%, G up, B up
		156-175	R down, G down, B 100%
		176-195	R 100%, G100%, B 100%, W 100%
		196-200	2800K
		201-205	3200K
		206-210	4000K
		211-215	4500K
		216-220	5000K
		221-225	5600K
		226-230	6500K
		231-235	7000K
		236-240	7500K
		241-255	8000K
		20	Macro Color
16-31	Effect -1		
32-47	Effect -2		
.....	16 numbers 1 effect		
224-239	Effect -14		
240-255	Effect -15		
21	Reset	0-250	No effect
		250-255	Reset



8. Mounting

When installing the unit, the trussing or area of installation must be able to hold 10 times the weight without any deformation. When installing the unit must be secured with a secondary safety attachment, e.g. an appropriate safety cable. Never stand directly under the facility while mounting, uninstalling or repairing facilities.

High-altitude mounting requires for extensive experience, including working load limits calculating , installation material, and periodic safety check of installation materials and facilities. If you're lack of mentioned qualifications, do not attempt the installation yourself. These installation should be checked by a skilled person annually.

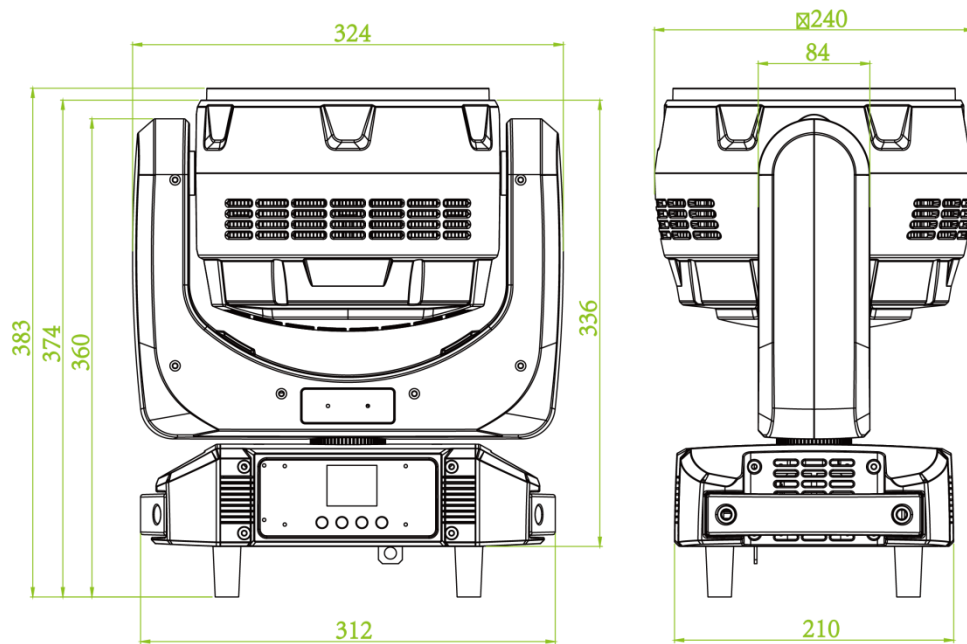


1240Z works properly in above different mounting, hanging upside-down from a ceiling, sideways on trussing, or set on smooth horizontal surface. Be sure this facility is at least 12m (40ft) away from flammable materials (decoration etc.). Always use and install the safety cable to prevent accidental damage or injury from the facility failure. Never use handles for secondary attachment.

NOTICE: The suitable environment temperature of the facility is from -25°C to 45°C . Do not place this facility in an environment where the temperatures are under or above the temperatures stated. This will help the fixture run at its best and extend the lifetime.



9. Fixture dimensions



10. Attention

1. When the facility is powered on, please avoid looking directly at the facility.
2. When assembling/ replacing LED, be sure to cut off the main power of facilities before opening the cover upon the LED board.

11. Trouble Shooting

Following are a few common problems that may occur during operation. Here are some suggestions for easy troubleshooting:

A. The unit does not work, no light and the fan does not work

1. Check the status of power connection and fuse.
2. Check the voltage.
3. Check the power indicator.



B. No response to DMX controller

1. If the display screen flashes, check the DMX signal connector and signal line whether the connection is correct.

1. If the display screen does not flash, but no response to channel control, check whether the address code or channel setting is correct.

1. If the DMX signal transmission is intermittent, check if the XLR and DMX cables are in good condition.

2. Try using another controller.

3. Check if the DMX cables is too close to the high-voltage wire, which may damage or interfere with the signal circuit.

6. The facility has not completed the self-check.

C. One of the channels is not working well

1. The stepper motor might be damaged or the cable connected to the PCB is broken.

2. The motor's drive IC on the PCB might be out of condition.

12. Fixture Cleaning

The lens and diffuser should be clean frequently to get better light effect. Wipe frequency according to the environment. Humidity, excessive smoke, and dirty environment will make lens dusty.

- Use soft cloth and special glass cleaner.
- Wipe lens surface at least every 30 days.
- Use vacuum cleaners or air guns to clean the interior structure of the facility, at least twice a year.

 Warning:

To avoid the danger of lighting strikes and fire, please do not place the facility in a humid environment. Do not disassemble it without permission, otherwise, the manufacturer will not provide warranty. If the facility fails, please contact the manufacturer first

